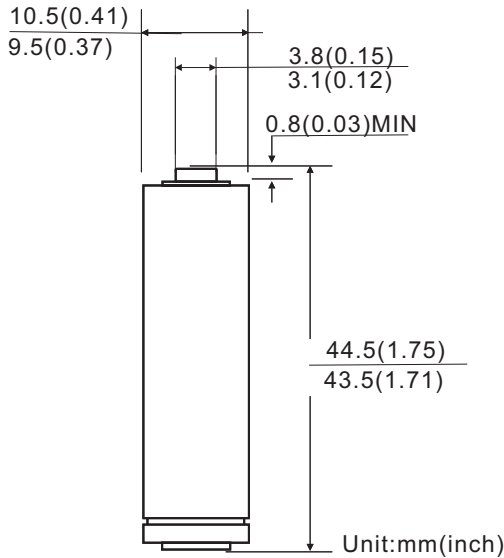


Camelion LR03-Plus

PLUS ALKALINE BATTERY

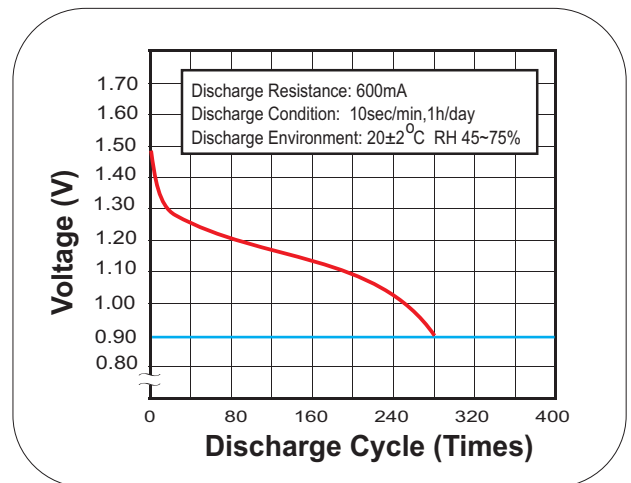
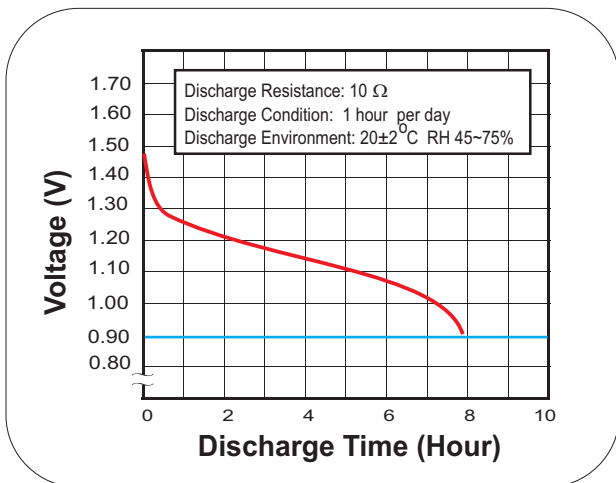
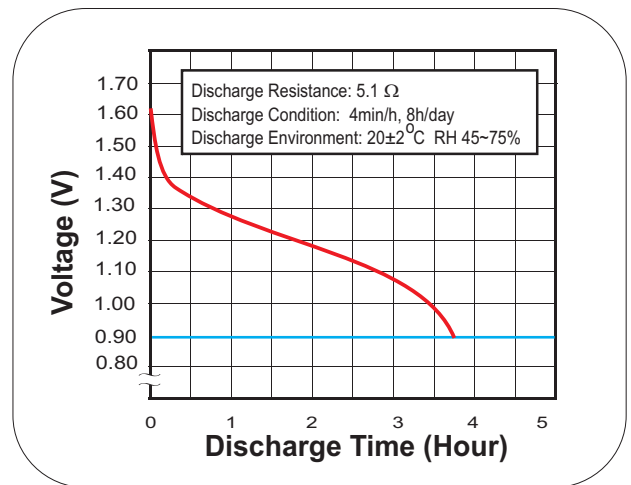
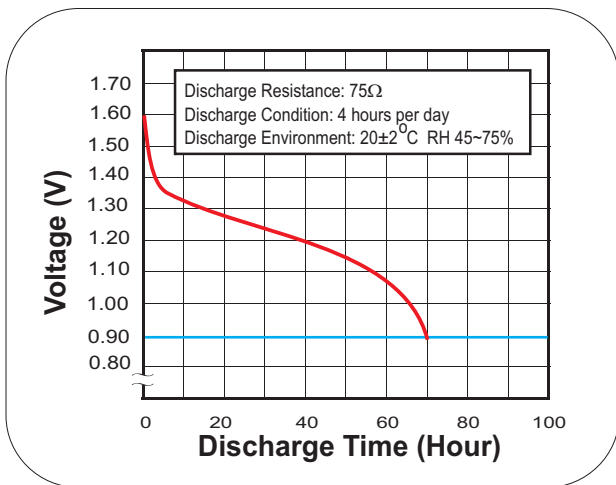


Dimensions



Specifications

Chemical System : Alkaline
 Zinc-Manganese Dioxide (Zn/MnO₂)
Camelion Model : LR03
IEC No. : LR03
ANSI/NEDA No. : 24A (AAA)
Average Weight : 11.8g
Dimension (∅ x H) : 10.0^{±0.5} x 44.0^{±0.5} mm
 0.40^{±0.02} x 1.73^{±0.02} inch
Terminals : Flat
Nominal Voltage : 1.5Volts
Average Capacity : 1250 mAh to 0.8 volts
 (20±2°C, Rated capacity at 25 mA continuous drain)
Jacket : Aluminum Foil Label



Notice:

Environmental elements comply with RoHS requirements. This information is subject to change without prior notice and for reference only. It should not be used as a basis for a product guarantee or warranty. For additional information, please consult your nearest Camelion Sales Office or Distributor or visit our website at: www.camelionbattery.com.