

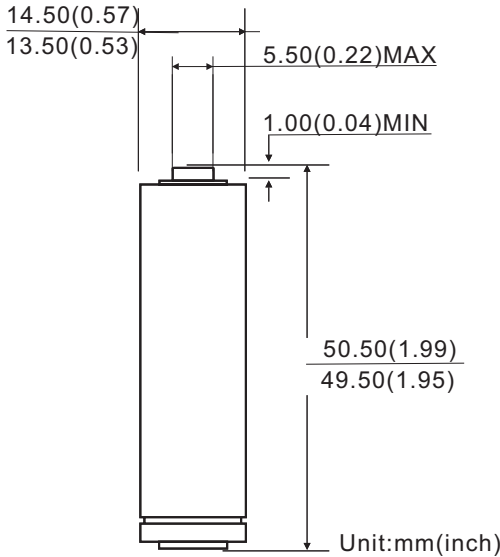
## Camelion LR6-Plus

## PLUS ALKALINE BATTERY



### Specifications

### Dimensions



**Chemical System :** Alkaline  
Zinc-Manganese Dioxide (Zn/MnO<sub>2</sub>)

**Camelion Model :** LR6

**IEC No. :** LR6

**ANSI/NEDA No. :** 15A (AA)

**Average Weight :** 24.0g

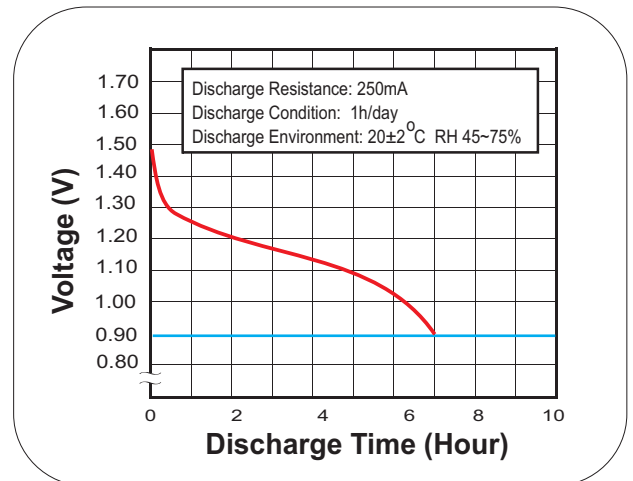
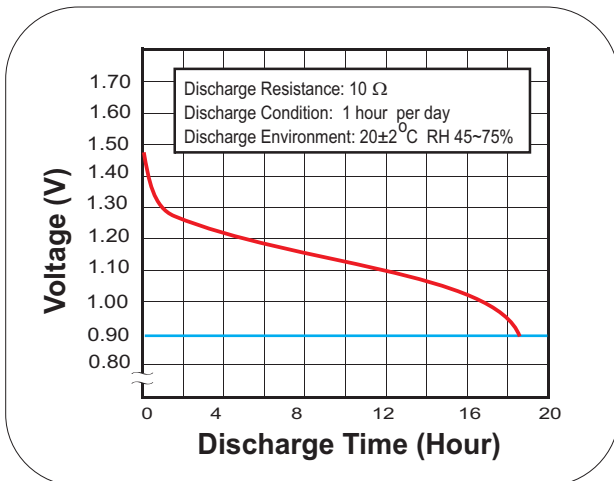
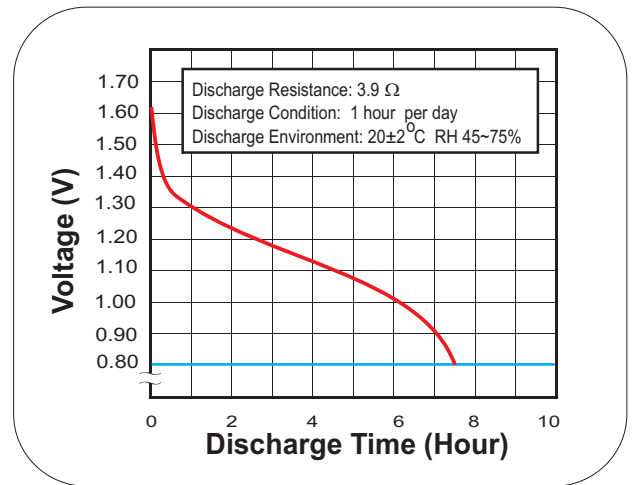
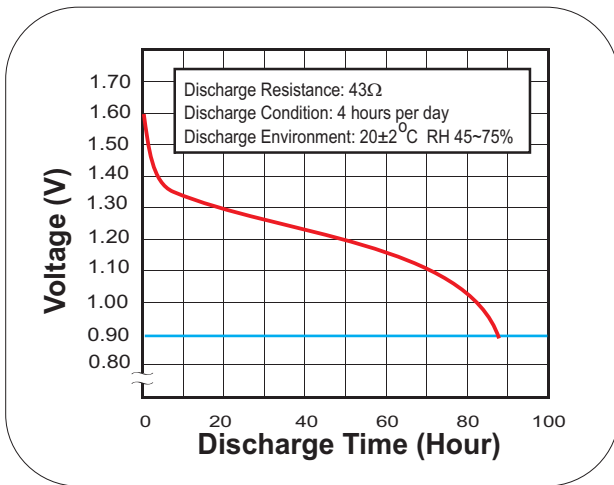
**Dimension (∅ x H) :** 14.0<sup>±0.5</sup> x 50.0<sup>±0.5</sup>mm  
0.56<sup>±0.02</sup> x 1.97<sup>±0.02</sup>inch

**Terminals :** Flat

**Nominal Voltage :** 1.5Volts

**Average Capacity :** 2800 mAh to 0.8 volts  
(20±2 , Rated capacity at 25 mA continuous drain )

**Jacket :** Aluminum Foil Label



**Notice:**

Environmental elements comply with RoHS requirements. This information is subject to change without prior notice and for reference only. It should not be used as a basis for a product guarantee or warranty. For additional information, please consult your nearest Camelion Sales Office or Distributor or visit our website at: [www.camelionbattery.com](http://www.camelionbattery.com).